

# Neon Flex white and Neon Flex RGB

## Waterproof IP55



Since the introduction of our custom-made Neon Flex white, we have received various requests to provide homogeneous and intense RGB versions. Therefore, we now include a perfect RGB version to the Neon Flex product line.

The DecaLED® Neon Flex is a new and specially designed product that meets current demand for a homogeneously coloured white Neon Flex. The DecaLED® Neon Flex is manufactured with preselected white SMD LEDs and is easy to use. The DecaLED® Neon Flex is commonly used for projects that require illumination of a facade or contour line using LED lighting instead of neon.

The DecaLED® Neon Flex RGB is an addition to the well-received Neon Flex white. With the same build-up as the white version, it features unique colour mixing and a homogeneously lit surface. With our dedicated DecaLED® Controller 4, installing and controlling the RGB Neon Flex is easier than ever before.

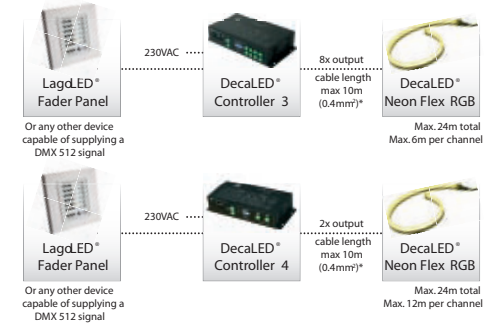
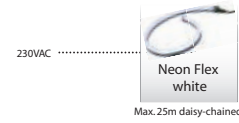
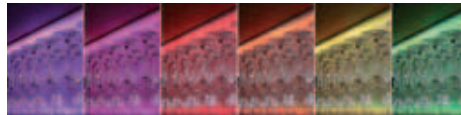
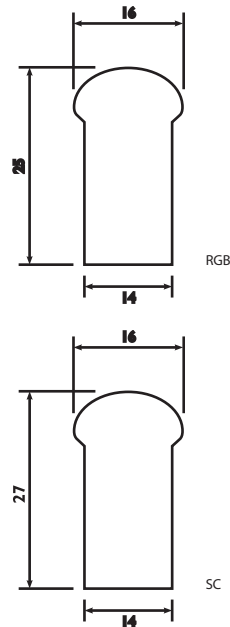
The board is fully sealed in a transparent, UV and IR protective casing. The result is a bendable, impact-resistant, maintenance-free and waterproof solution with a beam angle of 180°.

Maximum installation length for the cool white Neon Flex is 25 metres using 11.5W/m on 230VAC, the maximum connection length for Neon Flex RGB is 10 metres using 12W/m on 24VDC.

Deca LED® Neon Flex Product Specification		
Code	95166234	95165249
Description	DecaLED® Neon Flex cool white, 80 LEDs p/m, 230V	DecaLED® Neon Flex RGB, 198 LEDs p/m, 230V
Type	DECA.NEON.W	DECA.NEON.RGB24V
Input voltage	230V	24VDC
Current	50 mA p/m	500mA p/m
Power consumption	11.5W p/m	12w p/m
Current at max. chain	2.5A	5A
Power consumption at max. chain	575W	120W
Control	On/off configuration	DecaLED® Controller 3 / Controller 4
Max. per controller		24/24
Max. per output		6/12
Max. chainable	25m	10m
LED properties	SMD, single colour LED	66 SMD RGB LEDs
Dimensions	27 x 18 x variable mm	25 x 16 x variable mm
Weight		200 g/m
IP rating		IP55
Note	80 LEDs p/m	66 LEDs p/m
	Cuttable per 20cm, controllable per 100cm	

### Accessories

Controller 3 95350244	Controller 4 95350245	Connection set SC / RGB 95744300 / 95744301
Profile 95744500	Inline connector RGB 95744302	End caps SC / RGB 95744800 / 95744303



\* For installations that require longer cable length please contact your sales representative or calculate this using the product information.

