



USB-i 505

Dot 6



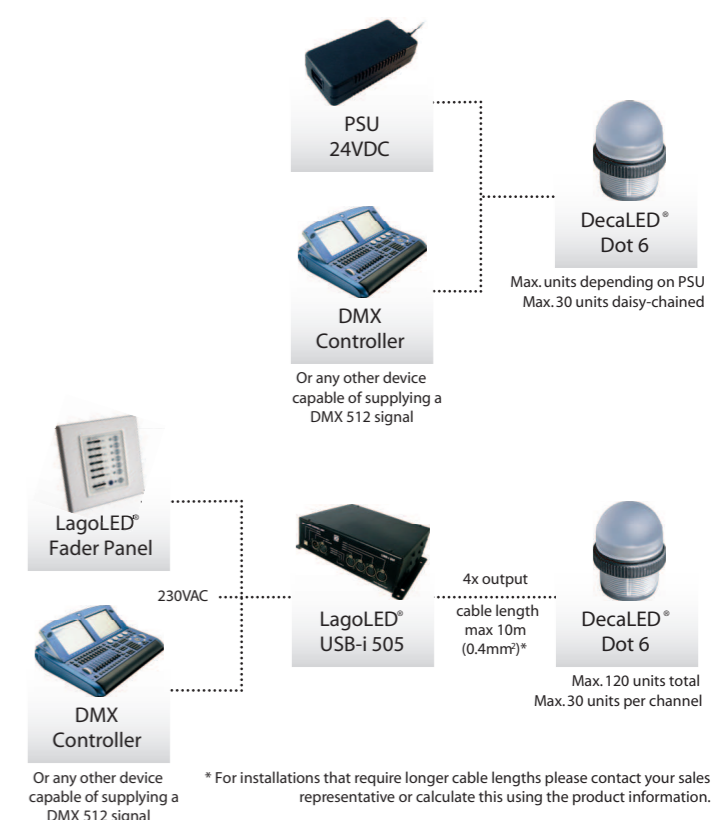
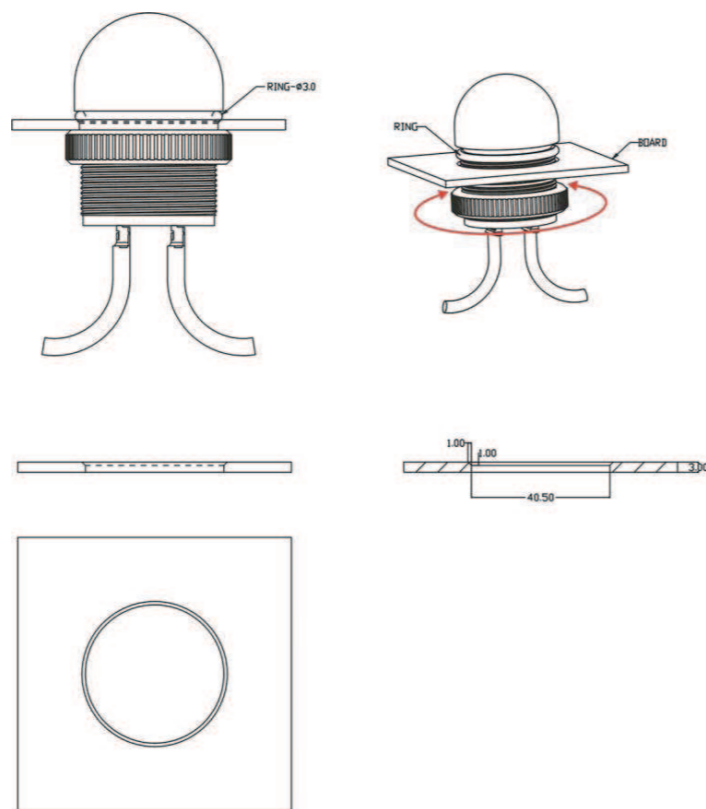
The DecaLED® Dot 6 is new in the Lagotronics product line and adds to the diversity of our wide range of outdoor fixtures. The DecaLED® Dot 6 is a separately addressable, IP 65 rated fixture containing six RGB LEDs.

With its unique modular features, the DecaLED® Dot 6 offers powerful colour mixing possibilities in the supplied cone. In addition, the DecaLED® Dot 6 is multifunctional and an ideal solution for countless applications. The well thought-out design of the cone and housing makes attaching it to ceilings, walls or floors simpler than ever before. Furthermore, the well-proportioned cone makes sure that surfaces are illuminated homogeneously. By adding the integrated intelligence, you will be able to address every dot separately by using the DecaLED® Setup tool and to control it by way of the DMX protocol. The LagoLED® USB-i 505 is ideal for controlling a maximum of 120 units DecaLED® Dot 6.

DecaLED® Dot 6 Product Specification	
Code	T.b.a.
Description	DecaLED® Dot 6
Type	DECA.DMX.DOT6
Operating voltage	24VDC
Current	80mA
Power consumption	2W
Max. chainable	30
Current at max. chain	2.4A
Power consumption at max. chain	57W
Control	USB-i 505
Max. per controller	120
Max. per output	30
LED properties	RGB SMD LEDs
Luminous intensity	8.15cd
Colour range	Full RGB (16.7 million colours)
Housing	Frosted polycarbonate with UV resistance
Operating temperature	-10°C to +50°C
Storage temperature	-20°C to +70°C
Dimensions	50 (D) x 62 (H) mm
Weight	65g
Expected lifespan	50.000 hours
IP rating	IP65

Accessories

Control	Setup tool	PSU
USB-i 505 95380247	Setup tool 95350247	PSU 24VDC Various PSUs available
Cabling		
Starter cable 50cm 95750305	Starter cable 1m 95750310	Starter cable 3m 95750330
Starter cable 5m 95750350	Link cable 50cm 95750150	Link cable 200cm 95750200



Fader Panel

24VDC

Setup tool

ledbox
company

Tel: +33 1 55 22 60 60
Fax: +33 1 48 69 13 51
www.ledbox.fr